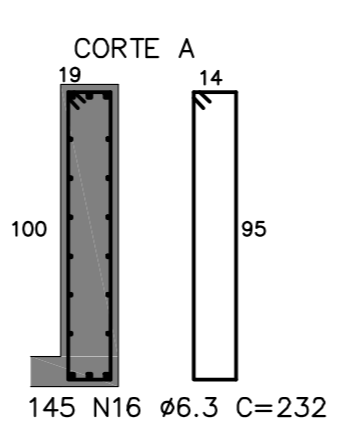
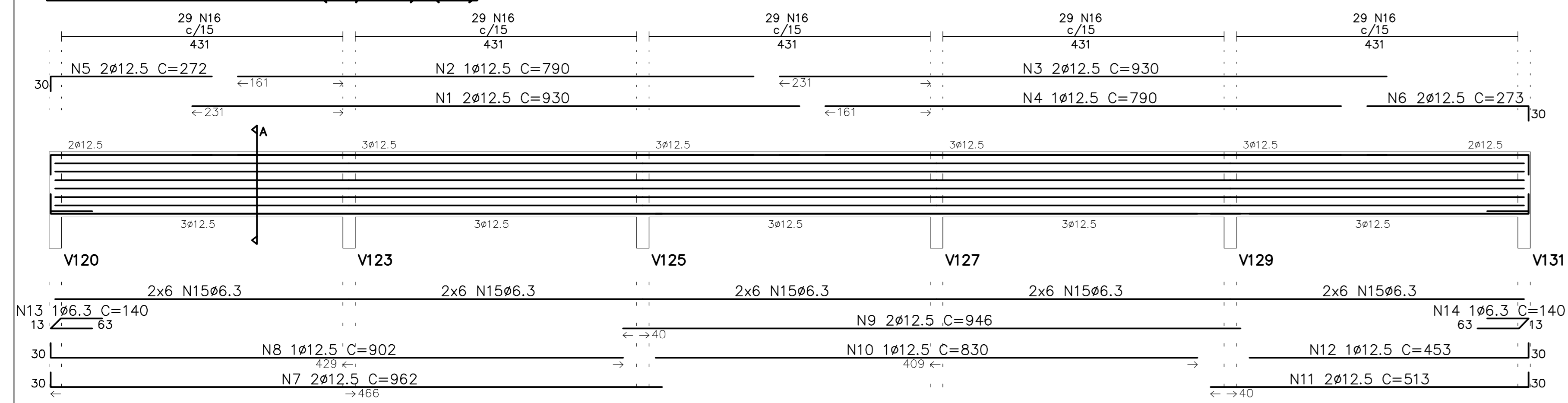
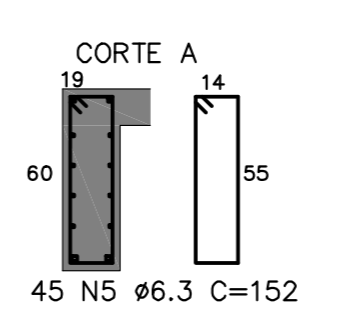
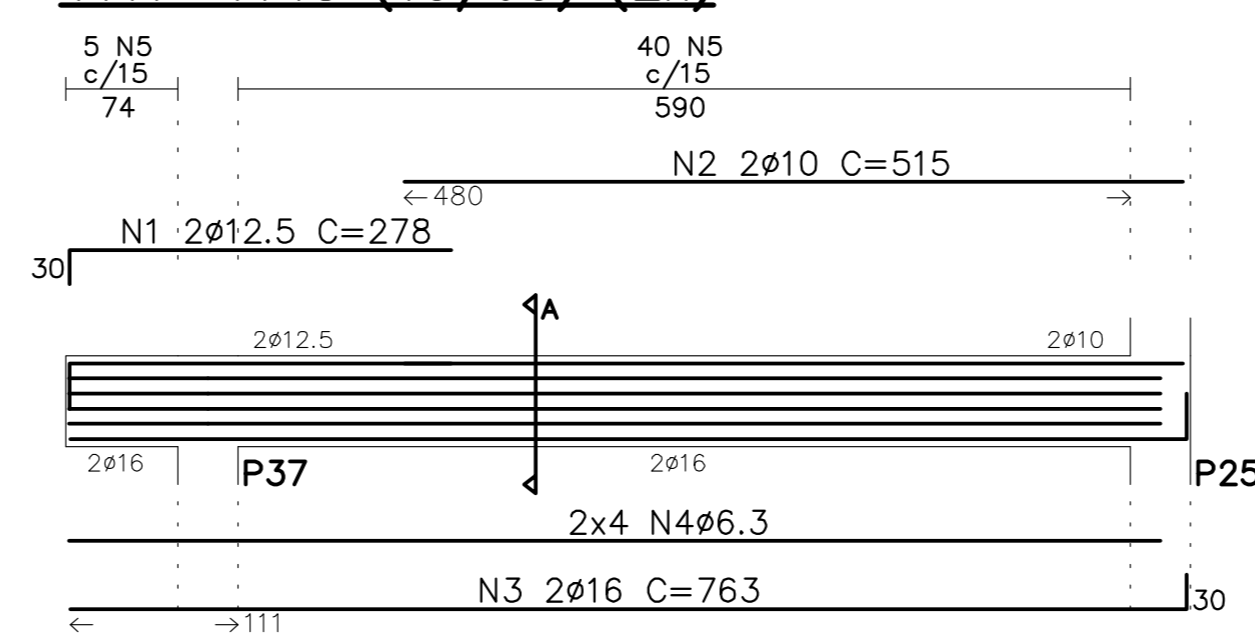


V101=V102=V115=V116 (19/100) (4x)



V117=V143 (19/60) (2x)



V118=V144 (19/40) (2x)

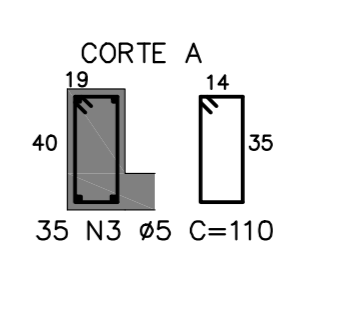
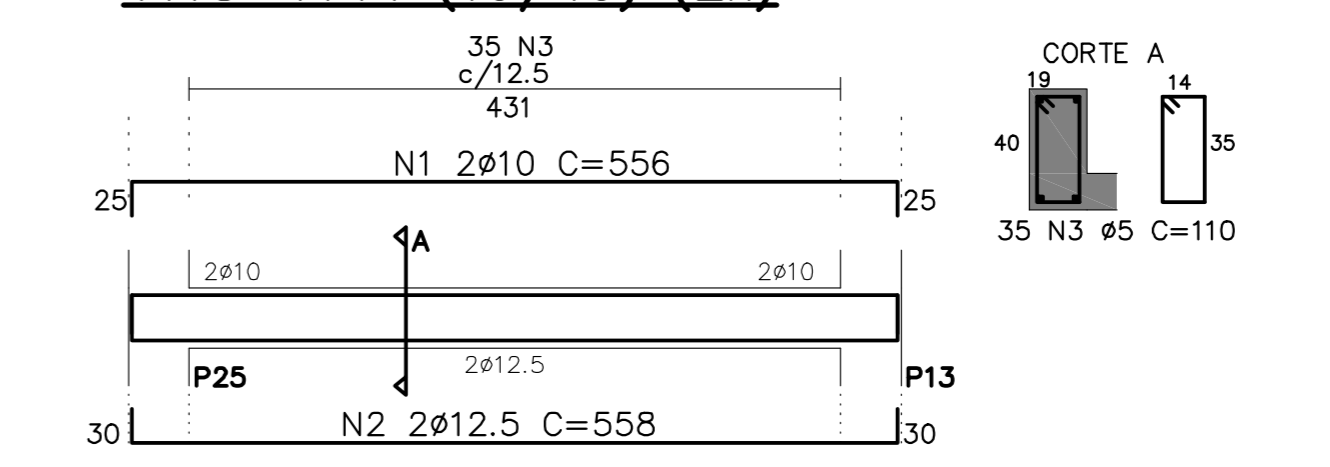
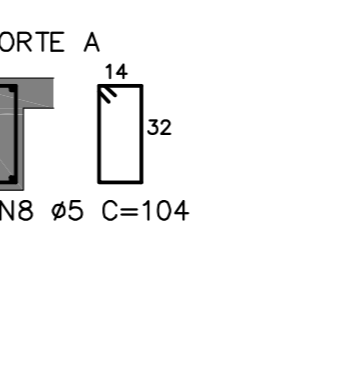
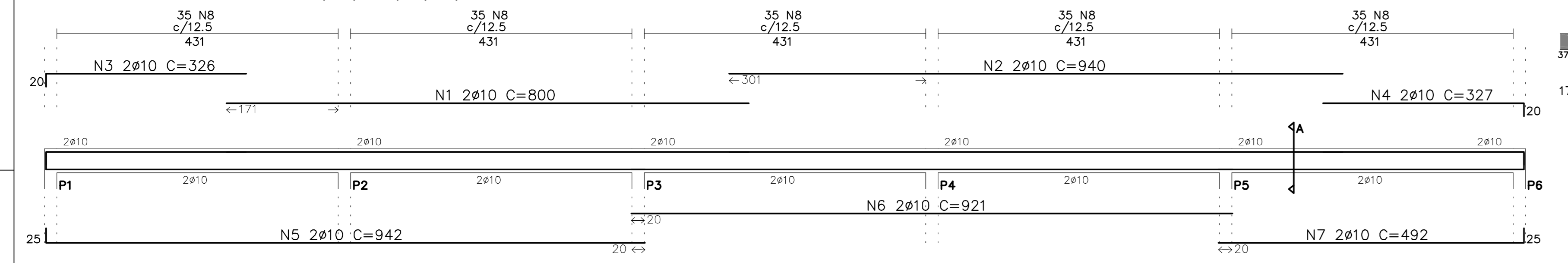
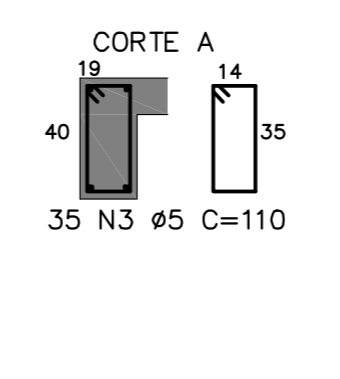
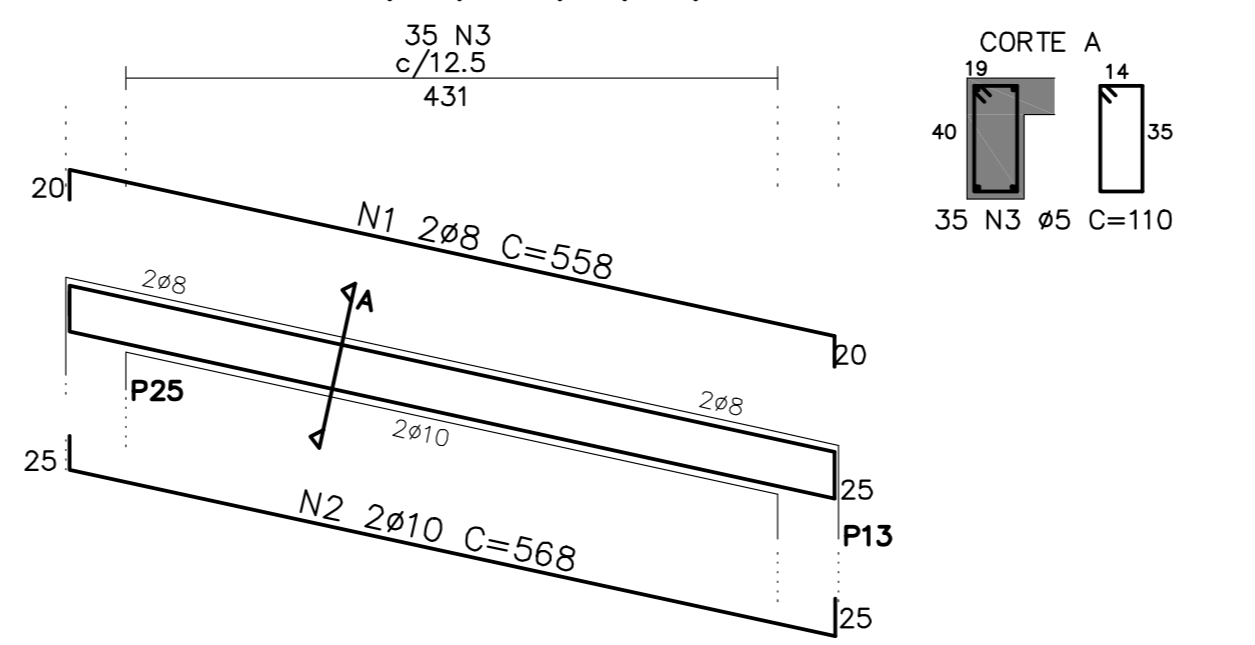


Table of reinforcement counts for V101-V116 and V117-V143, listing bar sizes and quantities.

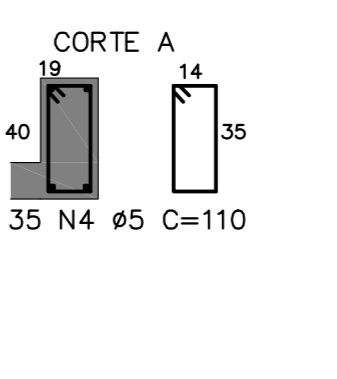
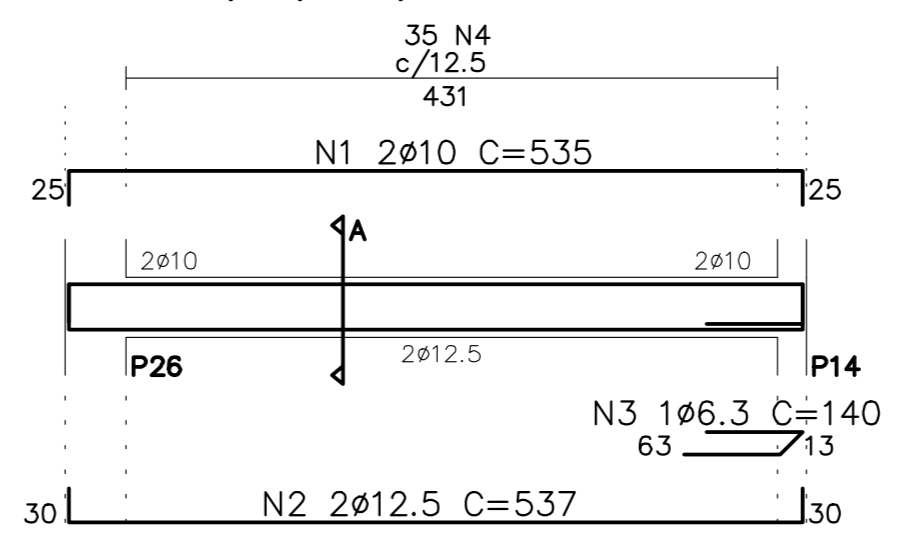
V103=V104=V113=V114 (19/37) (4x)



V119=V145 (19/40) (2x)



V122 (19/40)



V141 (19/40)

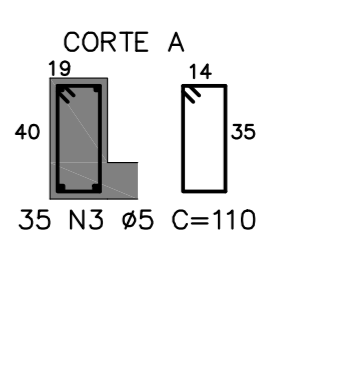
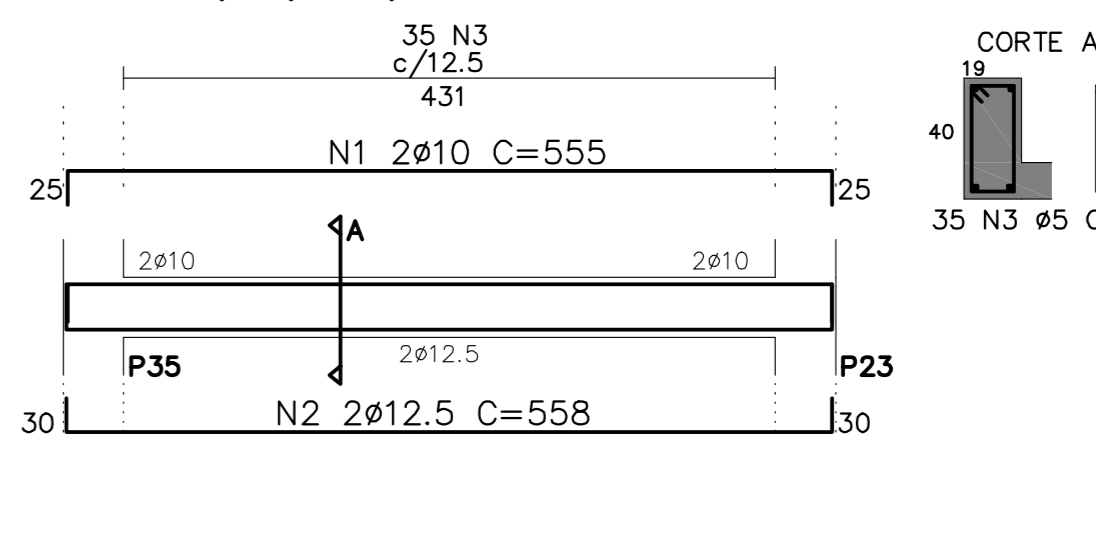
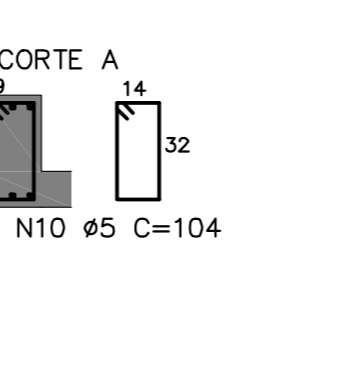
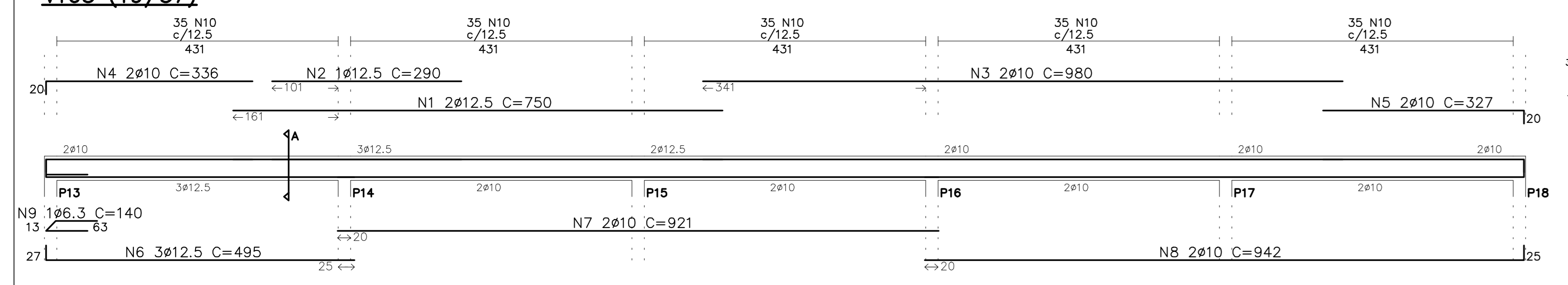


Table of reinforcement counts for V103-V114, V119-V145, V122, and V141, listing bar sizes and quantities.

V105 (19/37)



V106 (19/40 a 44)

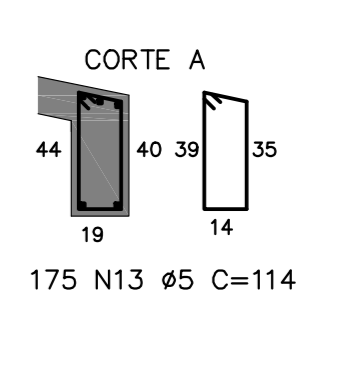
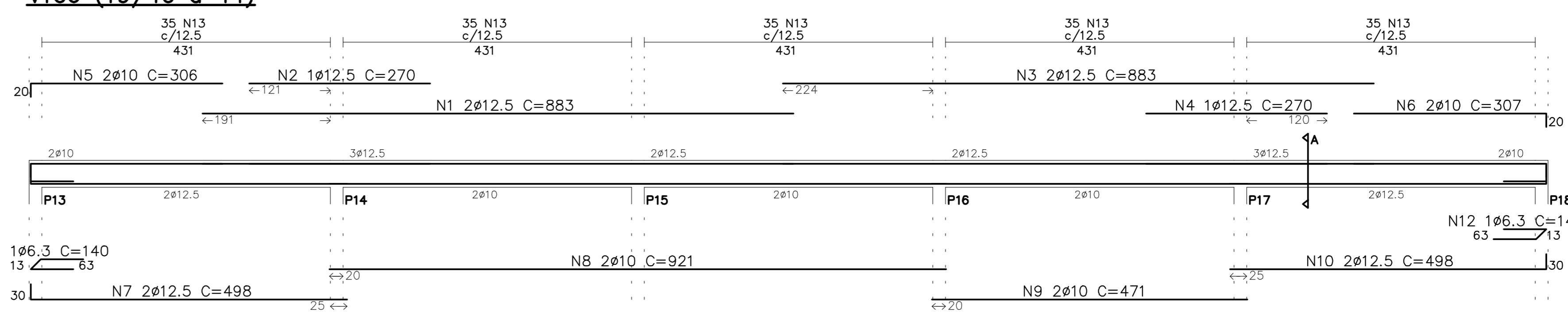
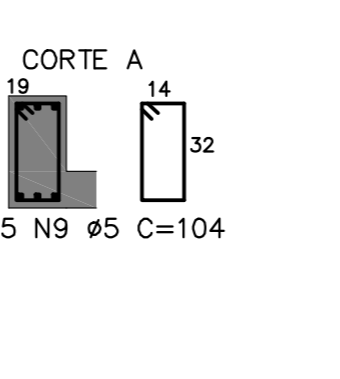
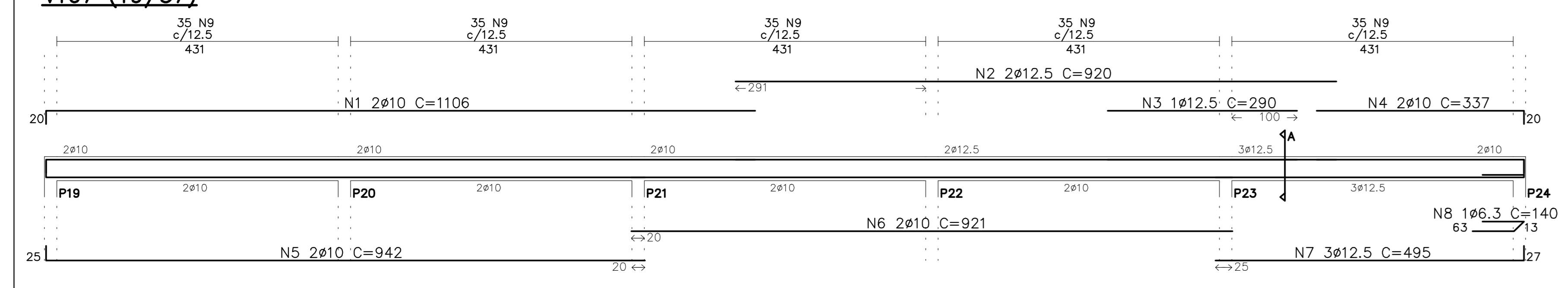


Table of reinforcement counts for V105, V106, V122, and V141, listing bar sizes and quantities.

V107 (19/37)



V108 (19/40 a 44)

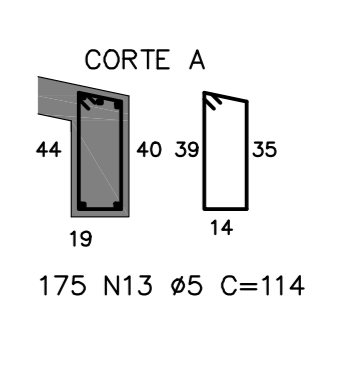
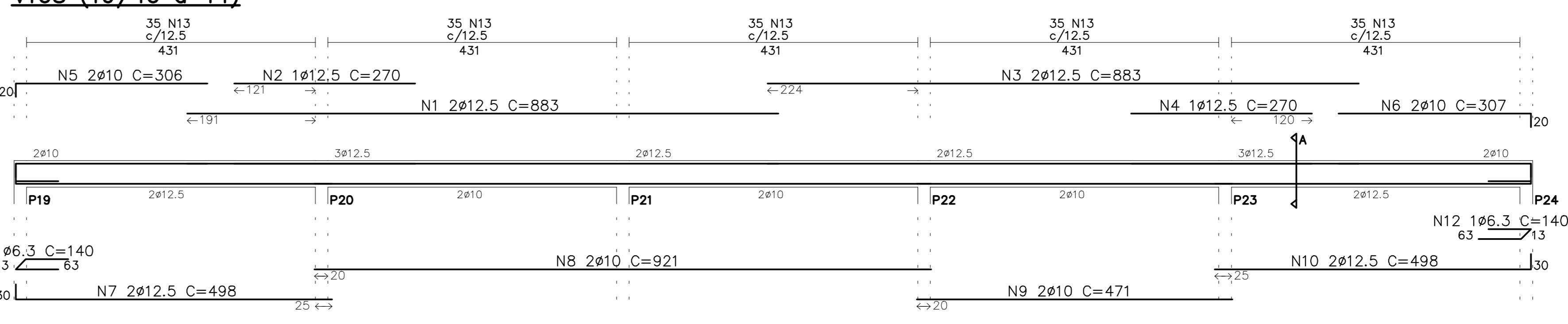
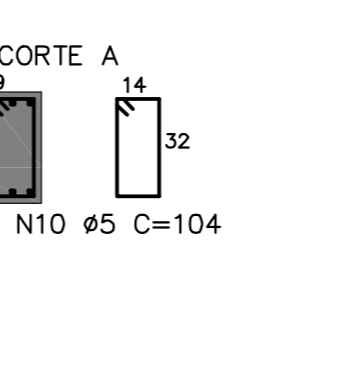
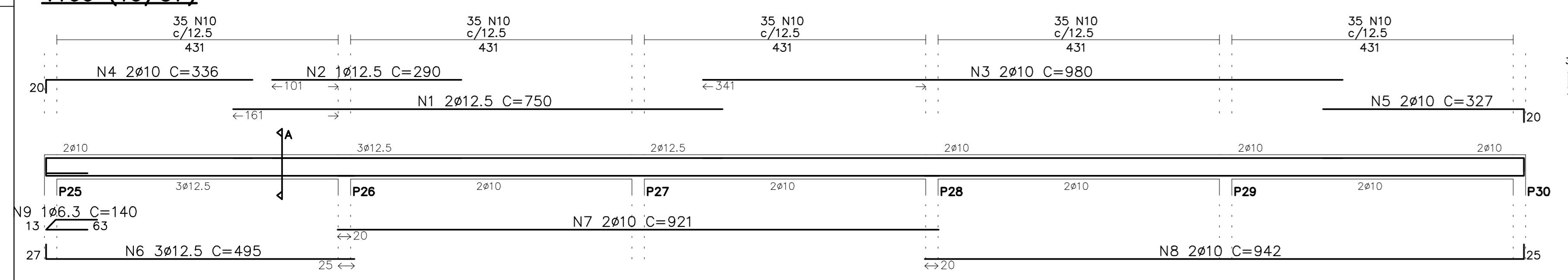


Table of reinforcement counts for V107, V108, V122, and V141, listing bar sizes and quantities.

V109 (19/37)



V130=V132 (19/60) (2x)

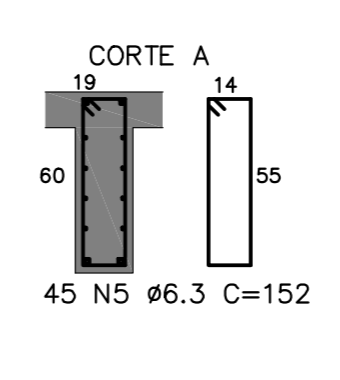
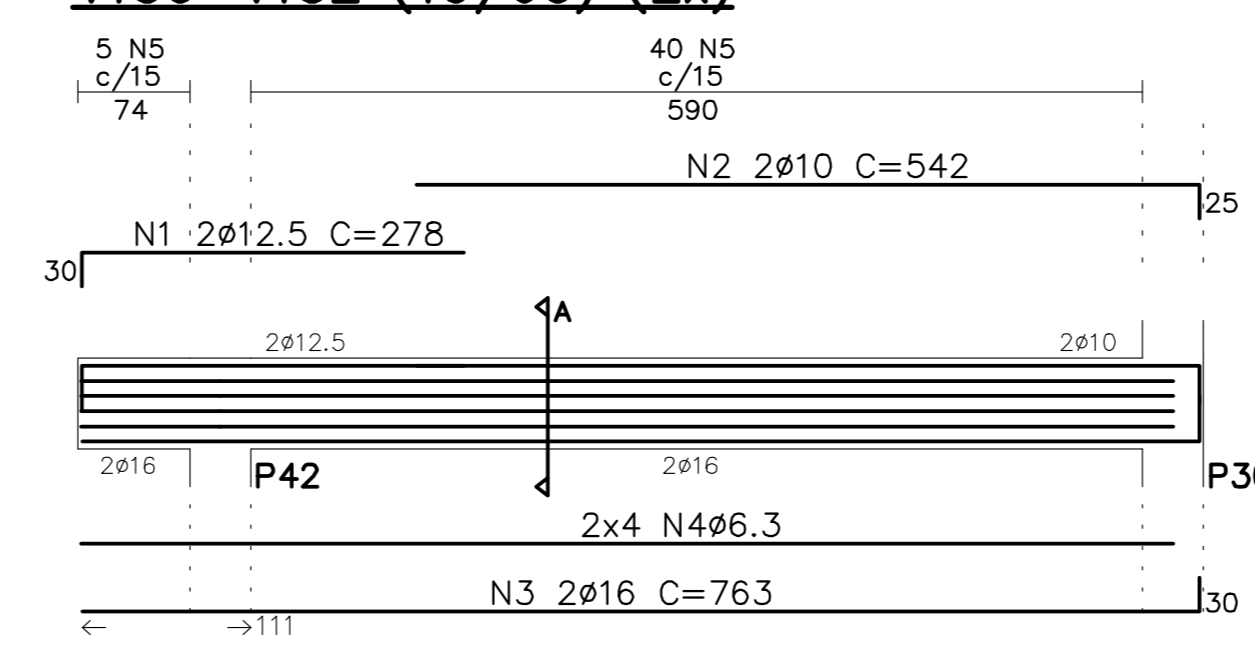


Table of reinforcement counts for V107, V108, V122, and V141, listing bar sizes and quantities.

Table of reinforcement counts for V109, V130-V132, V122, and V141, listing bar sizes and quantities.

Table of reinforcement counts for V105, V106, V122, and V141, listing bar sizes and quantities.

Table of reinforcement counts for V107, V108, V122, and V141, listing bar sizes and quantities.

Table of reinforcement counts for V109, V130-V132, V122, and V141, listing bar sizes and quantities.

Table of reinforcement counts for V105, V106, V122, and V141, listing bar sizes and quantities.

Table of reinforcement counts for V107, V108, V122, and V141, listing bar sizes and quantities.

Table of reinforcement counts for V109, V130-V132, V122, and V141, listing bar sizes and quantities.

Table of reinforcement counts for V105, V106, V122, and V141, listing bar sizes and quantities.

PREFEITURA DO MUNICÍPIO DE JAHU. Projeto: Construção Inicial de Creche no Residencial Altos da Cidade. Estrutural - Armazão das Vigas de Cobertura (1/2). Tiago Capobianco Morando. JUN/2023.